

# **PAMS Technical Documentation**

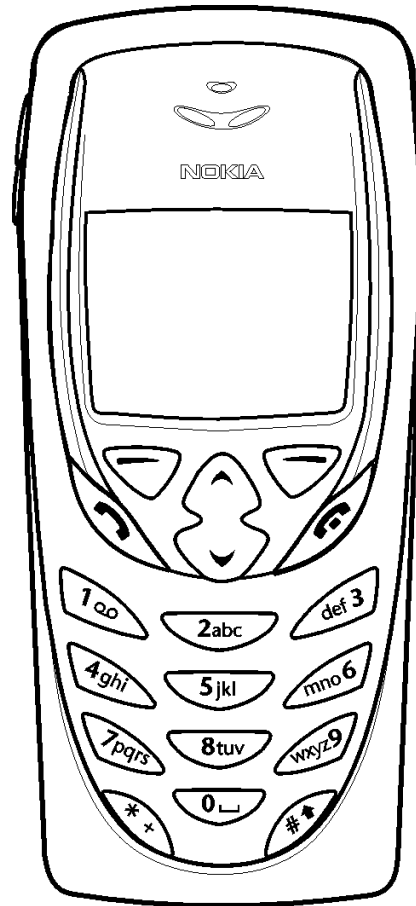
## **NHM-7 Series Transceivers**

# **Product Variants**

**CONTENTS**

Transceiver NHM-7 .....	3
Modules .....	4
Exploded View of Transceiver NHM-7 .....	5
Assembly Parts of NHM-7 .....	6

## Transceiver NHM-7



The NHM-7 is a dual band transceiver unit designed for the GSM900 (including EGSM) and GSM1800 networks. It is both GSM900 phase 2 power class 4 transceiver (2W) and GSM1800 power class 1 (1W) transceiver.

Transceiver main HW parts / features are:

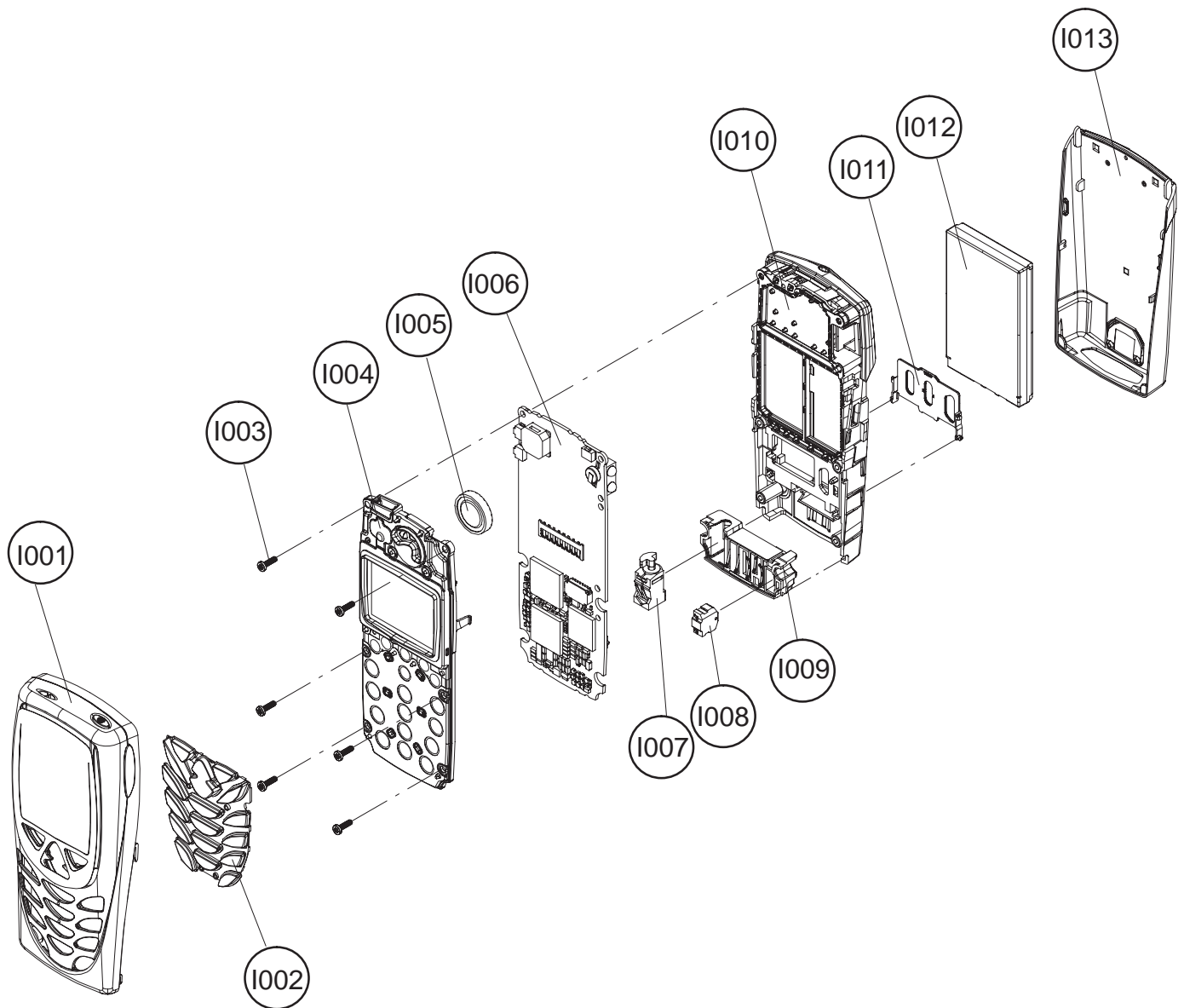
- GPRS
- Integrated FM radio
- Full graphic display
- Jack style UI with two soft keys
- Integrated IR link & internal data
- Internal vibra
- Plug & play HF support
- Plug-in SIM card below the back cover of the phone
- Back mounted antenna (no connection for external antenna)

**NOTE:**      **The Service Manual is intended for use by qualified service personnel only.**

## Modules

NHM-7 Dual Band Euro-A dark		0506461
...		
A-cover assy blue/white	DMC03142	9497016
Keypad Latin all blue	DMC04247	9790536
Battery cover assy white	DMC03189	9490175
...		
Transceiver NHM-7		0503666
• system module LA5		0201510
• UI module		9490306
• mechanics MNHM7		0262143
• SW module		0241645

### Exploded View of Transceiver NHM-7



## Assembly Parts of NHM-7

CIRCUIT REF./ ITEM	Q'TY	CODE	DESCRIPTION	VALUE, TYPE
I001		9497016	A-cover assy blue/white	DMC03142
I002		9790536	Keypad Latin all blue	DMC04247
I003	6	6150051	Screw M1.6X5.5 T6	DMD07562
I004		9490306	UI Module	DMC03712
I005		5140067	Speaker + spring	
I006		0201510	System Module LA5	
I007		6800055	Vibra Motor assy	
I008		5140205	Microphone assy	
I009		5460049	System connector	
I010		9497017	B-cover assembly	DMC03141
I011		9460377	SIM Card Cover (incl. in B-cover assy)	DMD06170
I012		0670246	Battery BLB-2 Li-ion	
I013		9490175	Battery cover assy white	DMC03189